

Models	Capacity		Input		Nominal Output		COP. (W/W)	EER. (Btu/hr*w)	Run Cap. (µF/VAC)	Weight (kgs.)	Oil Q'ty (CC.)	
	W	Kcal/hr	Btu/hr	Watt	Amps	Hp						kW
High EER Models												
a) Electrical 50 Hz : 220 - 240 Volt : 1 Phase												
NH41VNHT	7,570	6,509	25,828	2,410	10.90	2.55	1.90	3.14	10.72	45/420	31.3	1300
NH44VNHT	7,801	6,708	26,617	2,440	11.00	2.68	2.00	3.20	10.91	50/420	30.3	1300
NH47VNHT	8,502	7,310	29,010	2,700	12.60	2.95	2.20	3.15	10.74	50/420	31.2	1300
NH52VNHT	9,676	8,320	33,014	3,100	14.20	3.35	2.50	3.12	10.65	60/420	31.2	1300
NH56VNHT	10,574	9,092	36,078	3,450	15.80	3.62	2.70	3.06	10.47	60/420	32.2	1300
b) Electrical 60 Hz : 208 - 230 Volt : 1 Phase												
NH41NAHT	9,405	8,087	32,089	2,894	12.90	2.55	1.90	3.25	11.10	50/400	32.2	1300
NH44NAHT	9,886	8,500	3,728	3,095	14.10	2.68	2.00	3.19	10.90	55/380	31.8	1300
NH47NAHT	10,572	9,090	36,069	3,340	15.10	2.95	2.20	3.17	10.80	60/380	31.8	1300
NH52NAHT	11,692	10,053	39,893	3,710	16.81	3.35	2.50	3.15	10.75	65/400	31.8	1300
NH56NAHT	12,863	11,060	43,886	4,100	18.68	3.62	2.70	3.14	10.70	65/400	32.2	1300
c) Electrical 50/60 Hz : 380 - 415 Volt : 3 Phase												
NH41YDTT	7,450	6,406	25,419	2,310	3.95	2.55	1.90	3.23	11.00	-	30.3	1300
NH44YDTT	8,100	6,965	27,637	2,510	4.30	2.68	2.00	3.23	11.01	-	29.3	1300
NH47YDTT	8,650	7,438	29,514	2,680	4.60	2.95	2.20	3.23	11.01	-	29.3	1300
NH52YDTT	9,710	8,349	33,131	3,010	5.30	3.35	2.50	3.23	11.01	-	30.3	1300
NH56YDTT	10,650	9,157	36,338	3,300	5.85	3.62	2.70	3.23	11.01	-	32.2	1300
d) Electrical 50/60 Hz : 200-230 Volt : 3 Phase												
NH38TKAT	6,745	5,800	23,014	2,210	7.50	2.28	1.70	3.05	10.40	-	29.2	1300
NH41TKAT	7,269	6,250	24,800	2,420	8.00	2.55	1.90	3.00	10.24	-	29.2	1300
NH44TKAT	7,920	6,810	27,022	2,550	8.80	2.68	2.00	3.10	10.59	-	28.5	1600
NH47TKAT	8,374	7,200	28,570	2,790	10.00	2.95	2.20	3.00	10.24	-	28.2	1300
NH52TKAT	9,444	8,120	32,220	3,160	10.90	3.35	2.50	2.99	10.20	-	29.3	1300
NH56TKAT	10,293	8,850	35,117	3,420	11.60	3.62	2.70	3.01	10.28	-	31	1300

Premium High EER Models

a) Electrical 50 Hz : 220 - 240 Volt : 1 Phase

NH41VNWT	7,529	6,474	25,686	2,216	10.20	2.55	1.90	3.40	11.60	45/420	30.2	1300
----------	-------	-------	--------	-------	-------	------	------	------	-------	--------	------	------

Note : 1. Testing condition ASRE-T,

for V code at 1Phase 220Volt 50Hz,

for N code 1Phase 220Volt 60Hz,

for Y code at 3Phases 400Volt 50Hz.

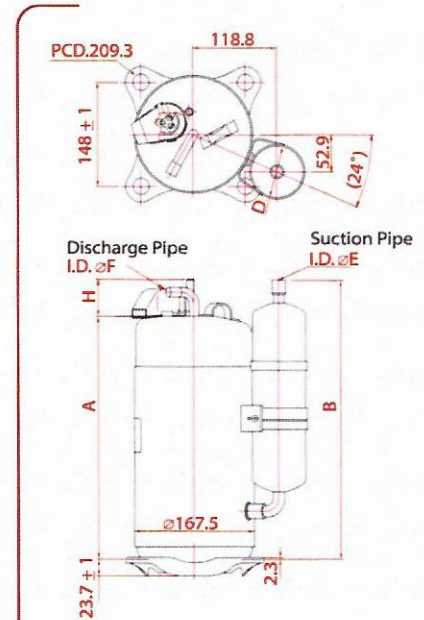
2. All figures indicated are nominal value,

for detailed specification, please contact sales representative

3. Oil type is NM56EP

	Dimension (mm.)					
	A	B	D	E	F	H
NH41-47VNHT						
NH41-47NAHT	341.3	392.3	74.0	16.0	9.6	52.0
NH38-47TKAT						
NH41-47 YDTT	341.3	392.3	74.0	16.0	9.6	None
NH52-56 VNHT						
NH52-56 NAHT	341.3	392.3	74.0	19.1	9.6	52.0
NH52-56 TKAT						
NH52-56 YDTT	341.3	392.3	74.0	19.1	9.6	None
NH41VNWT	341.3	392.3	74.0	19.1	9.5	None

NH



PH Compact (3Legs)

